



MEDICAL POSITIONING INC

Owner's Manual

ICV™ Table

Owner _____

Model _____

Serial Number _____

Date _____

Table of Contents

ICV™Table

General	
Safety Features	2
Operation ICV™Table	4
1. Table Operation	5
2. Touch Screen Functions	7
3. Hand Wand Function	8
4. Floor Lock Use	9
Cleaning Instructions	10
Troubleshooting Guide	12
Warranty	13
Specification Sheets	
ICV™Table	14

Safety Features

In This Section

The ICV™Table is designed to be used for fluoroscopic examination and treatment requiring positioning of the patient with a C-arm imaging device. This section lists safety features built into your ICV™ Table.

Safety Features

The ICV™ Table is equipped with multiple automated safety features to prevent danger or damage during use.

The actuator assemblies are current overload protected. If overloaded, the actuators will stop and reset automatically.

The sealed, hand-held wand and/or touch screen operates the actuators by directing small amounts of low voltage D.C. current to the control box. All of the actuator drives automatically prevent over- extension.

The ICV™Table is equipped with sealed bearing casters at all four corners and floor locks or total locking casters.

The ICV™Table is recognized to the following standards:

UL 60601-1 IEC60601-1 CAN/CSA22.2-60.1

IEC 60601-1 Classifications

- Protection against electrical shock- Class I, Optional Battery Back-up, Type B applied part
- Equipment not suitable for use with flammable anesthetic mixture with air or with oxygen or nitrous oxide
- Mode of operation - 1 minute operation, 9 minutes rest

Environmental

- Mains power quality should be that of a typical commercial or hospital environment
- Power frequency magnetic fields should be at levels characteristic of a typical location in a commercial or hospital environment.

Transport conditions

- Temperature range: -40°F (-40°C) to 150°F (70°C)
- Relative Humidity range: 10% to 100%
- Atmospheric pressure range: 14.76 in Hg (500 hPa) to 31.30 in Hg (1060hPa)

Safety Features (continued)

Definitions of symbols used



Attention Consult Accompanying Documents



UPS Power On/Off



Type B Applied Part

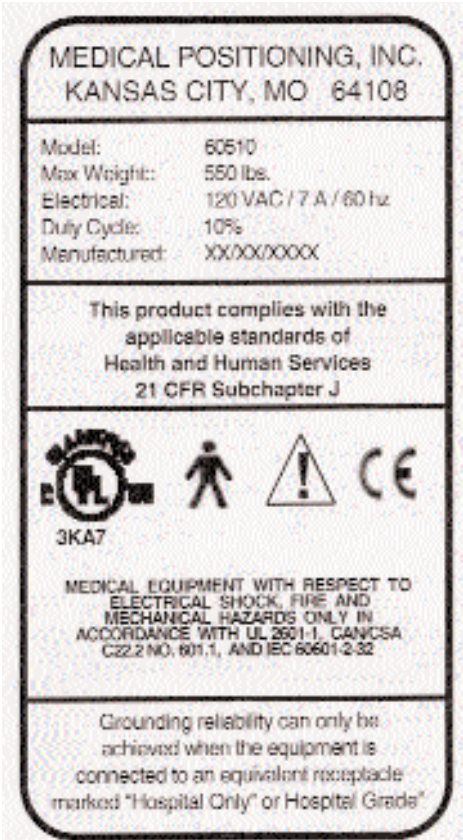


Emergency Stop Button



Protective Earth Terminations

Representative drawing
Capacities and electrical vary by model.



Operation: ICV™ Table

Introduction

The ICV™ Table is shipped assembled and ready for use. Each function has been pre-tested to insure perfect working order on day one. A “**Troubleshooting Guide**” is included to help you in the event of a malfunction.

In This Section

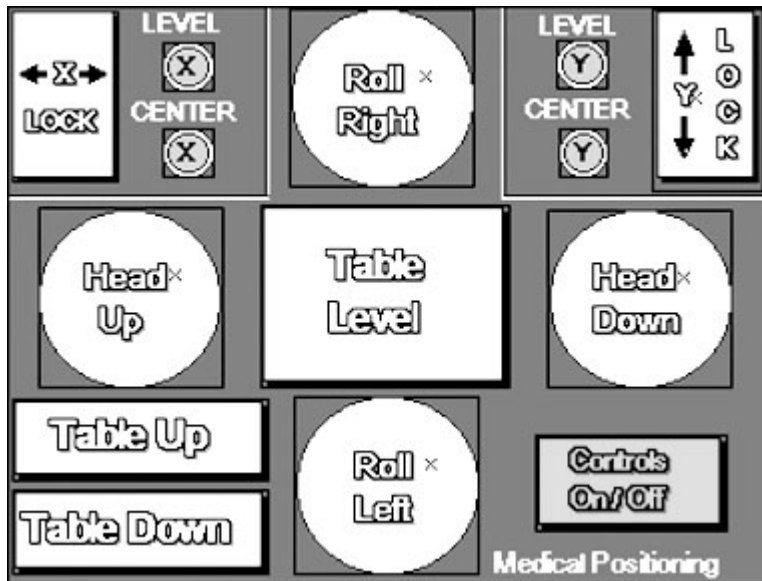
You will be provided with a basic understanding of the components of the ICV™ Table. You will be instructed on the proper use of the The ICV™ Table, including:

- Touch Screen
- Using the Hand Wand (when applicable)
- Floor Brake
- Proper Cleaning Instructions
- Trouble Shooting Guide
- Warranty

Table Operation

The ICV™ Tables are operated through a touch screen, hand wand or both depending on the functions the table can perform. Please identify the operational device(s) your table is equipped with.

Touch Screen Functions - ICV™Table

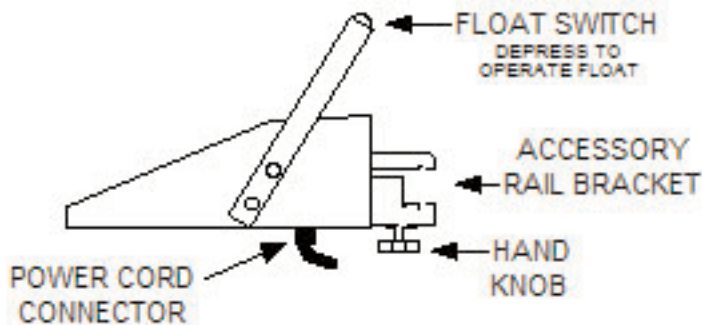


*The Touch Screen Diagram Shows all possible functions for an ICV Table.
Your Table may not be equipped with all functions.*

- Table Up / Table Down** Pressing Up raises the height of the table.
Pressing Down lowers the height of the table.
- Head Up / Head Down** Pressing Up raises the head of the table (reverse Trendelenburg).
Pressing Down lowers the head of the table (Trendelenburg).
(Note: The table will not float head-to-foot until it has been leveled head to foot)
- Roll Right / Roll Left** Pressing Right rolls the table to the patient's right.
Pressing Left rolls the table to the patient's left.
(Note: The table will not float right-to-left until it has been leveled right-to-left)
- Table Level** Pressing this button levels the table head-to-foot and side-to-side.
Pressing this button repeatedly will insure the table is level in small increments.
(Note: The table will not float until it has been leveled using the Table Level Button)

Table Operation (continued)

X Lock / Y Lock	Pressing X Lock will prevent the table from being floated head to foot. The button will “flash” when the lock is engaged. Pressing Y Lock will prevent the table from being floated side-to-side. The button will “flash” when the lock is engaged.
Level X / Level Y	These indicators will illuminate (green) when the table is level in the X or Y axis.
Center X / Center Y	These indicators will illuminate (green) when the table float is centered in the X or Y axis.
Controls On/ Off	Pressing this button turns ALL CONSOLE MOTOR FUNCTIONS off and hides all operational buttons. Pressing again restores all buttons and functions.
To float table top	Depress and hold the <u>Float switch</u> (push button located at the top of the console handle). Float the table top to the desired position and release <u>Float switch</u> .

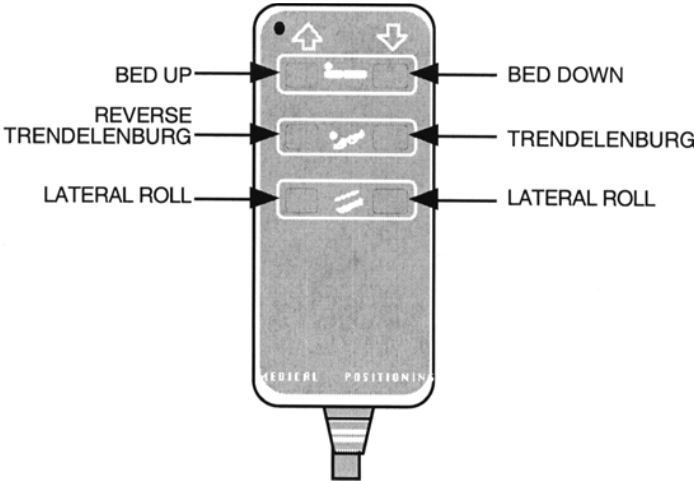


CONTROL CONSOLE MOUNTING, REMOVAL AND REPOSITIONING

The CONTROL CONSOLE attaches to the Accessory Rail of the table. To install or remove the CONSOLE, loosen the HAND KNOB sufficiently for the ACCESSORY RAIL BRACKET to open wide enough to fit over the accessory rail of the table, being certain the accessory rail fits into the notch of the upper section of the ACCESSORY RAIL BRACKET. Tighten the HAND KNOB securely.

The table must be level head to foot to allow floating in the “X” Axis and level side to side to allow floating in the “Y” axis. Leveling of the table is achieved by pressing the Home button on the console or handwand. Keep the Home button depressed until the table stops moving. Once leveled, proceed with the following instructions

Hand Wand Functions - ICV™ Table



<u>These Buttons</u>	<u>Result in this Action</u>
TRENDELENBURG	Begins program to raise the head of the bed.
REVERSE TRENDELENBURG	Begins program to lower the head of the bed.
BED UP	Begins program to raise the entire bed.
BED DOWN	Begins program to lower the entire bed.
LATERAL ROLL RIGHT	Begins program to roll the bed right.
LATERAL ROLL LEFT	Begins program to roll the bed left.

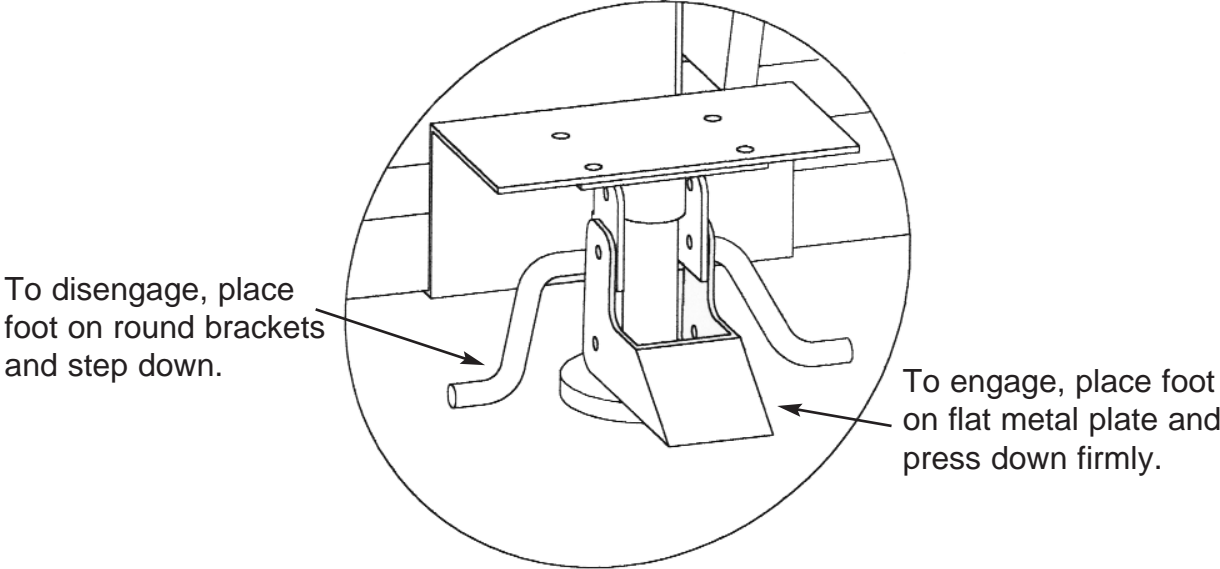
All handwand buttons are momentary. The table will move in the direction desired as long as the button is depressed. Movement will stop when the button is released.

Floor Lock Use

Floor Lock Operation

The floor lock mechanisms are located at the head and foot ends of the base.

<u>Step</u>	<u>Action</u>
1	When positioned, engage by placing your foot on the flat metal plate in the center of the pivotal mechanism and step down firmly. (See Figure 20)
2	To disengage, place your foot on either of the round brackets projecting from the sides of the center, flat plate and step down.



Cleaning Instructions

Please note that substances such as imaging gels and alcohol will not damage the vinyl surface when immediately removed. Studies have shown that exposure for longer than a few minutes can damage the top coat and will eventually discolor vinyl.

The painted metal and plastic surfaces can be cleaned with normal cleaners and disinfectant.

<u>Step</u>	<u>Action</u>
1	Clean and/or disinfect with liquid cleaner of choice being careful to follow label instructions provided with cleaner. (Always test a small area first to determine suitability of solution.)
2	Wipe the surface clean with a wet cloth after applying cleaners and disinfectant to remove excess residue build-up.

ALWAYS READ MANUFACTURERS INSTRUCTIONS AND WARNINGS BEFORE USING ANY CLEANING PRODUCT OR DISINFECTANT.

The vinyl upholstered surfaces can be cleaned in one of the following ways:

<u>Step</u>	<u>Action</u>
1	When caught quickly, most everyday stains like grease, blood and black felt tip pens can be wiped right off. Use mild soap and water. For more stubborn stains, a variety of concentrated and solvent type cleansers (including alcohol, naphtha and bleach) may be used without damaging the surface. (Abrasive household cleaners and steel wool should be avoided - see the guide for complete care and cleaning procedures.)
2	Everyday soil can usually be removed using a soft cloth or sponge with mild soap and water. Spills and accidents require immediate attention for best results. In many cases, stains may be cleaned simply with warm water alone. If the stain is allowed to set, more concentrated cleaners may be required.

Cleaning Instructions (cont.)

The following guide covers many of the most common staining agents. During independent laboratory testing, many were allowed to stand for up to 40 hours with excellent cleaning results.

Generally speaking, always start with the mildest cleaning agents first. **Never use harsh powdered abrasive cleansers or steel wool.** Products containing bleach, ammonia or alcohol (Lysol™) should be wiped from the surface with a wet cloth after use. Residue from these products **will** damage vinyl surfaces.

<u>Step</u>	<u>Action</u>
1	Remove excess spill with damp cloth. Clean with 1:1 mix of Ivory™ soap and water. Rinse with clean water and dry.
2	Use straight application of concentrated cleaners such as Formula 409™ or Fantastik™ Spray Cleaner. Then wipe with clean cloth.
3	Use a 1:1 mix of ammonia and water or a 1:4 mix of bleach and water. Rinse with clean water and dry.
4	Use straight application of naphtha (lighter fluid). Rinse thoroughly with clean water and pat surface dry. (see note below)
5	Use 1:1 mix of isopropyl alcohol and water. If stain persists, use straight alcohol. Rinse thoroughly with clean water pat surface dry. If stains remain, use a 1:1 mix of acetone and water. Rinse with clean water and pat surface dry. (see note below)

Note: For cleaning that requires steps 4 or 5 - use a soft cotton cloth saturated with the cleaning material, rub the stain in circles 10 times. Pat dry with another soft cotton cloth and check results.

This information is not a guarantee and does not relieve the user from the responsibility of the proper and safe use of the product and all cleaning agents.

Formula 409™ is a trademark of the Clorox™ Company.

Fantastik™ Spray Cleaner is a trademark of the Texize Division of Dow Consumer Products, Inc.

Ivory™ is a trademark of Procter and Gamble.

Lysol™ is a trademark of Reckitt & Colman Inc.

Troubleshooting Guide

A “**Troubleshooting Guide**” is included to instruct you in the event of a malfunction. If you are experiencing any of the following symptoms, this guide may help you quickly solve the problem. If, after consulting this guide, you are still unable to operate your ICV™ Table, please contact Medical Positioning Incorporated at 1-800-593-3246. Please have the following information ready when you call:

1. Model Number or Name of Product
2. Date Received
3. Condition When Received
4. Symptom (or problem) Encountered & Result of Troubleshooting Procedure

Symptom	Probable Cause	Suggestion
No Actuator Function. Actuator(s) Not Running.	Power cord not plugged all the way in wall receptacle.	Push power cord securely into receptacle.
	Power outlet receptacle not supplying 120 VAC power.	Check power availability or plug unit into another receptacle.
	Hand wand or touch screen not properly connected.	Securely press connecting cable(s) into receptacle(s).
	Circuit breaker is tripped (If Equipped)	Reset circuit breaker (small black button on side of base) by pressing in.
	Control Box Fuse Blown (If Equipped)	Observe green “Ready Light” on control box cover (Fig 1) If all above suggestions are tested and light is not illuminated, replace fuse.

Warranty

ICV™ Tables

1 Year - Electrical, Mechanical, Carbon Fiber & Vinyl Fabric

This product is fully guaranteed against defects in material or workmanship, for the period indicated above commencing with receipt by the original end user. If a product fails due to a manufacturing defect, we will repair or authorize repairs to the product without charge or replace it at our option.

We use only the finest materials available, but even these premium quality materials will not last forever. Repairs due to normal wear, accident, improper care, or negligence, where we are not at fault, will be performed for a reasonable charge. The warranty does not apply if the product has been modified without the advance written permission of Medical Positioning or purchased in the USA for export.

Medical Positioning makes no other warranty, either expressed or implied, with respect to this product. Medical Positioning specifically disclaims the implied warranties of merchantability and fitness for a particular purpose.

The remedies provided herein are customer's sole and exclusive remedies. In no event shall Medical Positioning be liable for any direct, indirect, special, incidental, or consequential damages, whether based on contract, tort, or any other legal theory.

Product shall not be returned to Medical Positioning, Inc. without prior written authorization from Medical Positioning, Inc. If a product is returned without prior authorization, customer is responsible for all shipping charges and any applicable duties and/or taxes. When a repair is made on site, (solely) at the request of the customer, the customer is responsible for all travel costs.

Medical Positioning Incorporated

1717 Washington
Kansas City, Missouri 64108
(816) 474-1555
800-593-3246
FAX (816) 474-7755

U.S. Patents # 5,184,363
5,461,739
6,353,949
Des. Patent # 347,691
Other Patents Pending

WARR1098



ICV™ Table

Specifications for 60390, 60410, 60420, 60510

Model

- 60390** - Height Adjustable 27" - 39"
4-way Float
- 60410** - Height Adjustable 27" - 39"
4-way Float, +/- 20° Trendelenburg
- 60420** - Height Adjustable 30" - 42"
4-way Float, 20° Lateral Roll
- 60510** - Height Adjustable 30" - 42"
4-way Float, +/- 20° Trendelenburg
20° Lateral Roll



Model 60390

FEATURES

4-Way Floating Top

- 40" longitudinal travel
- 12" transverse travel
- Individual transverse and longitudinal locking controls
- Fully adjustable 3 belt patient restraint straps
- Table articulation controlled by a sealed, water resistant, low voltage, control panel
- Stainless steel accessory rails

Portability

- Push bar
- 3 inch front casters, 5 inch rear casters

Base

- C-arm accessible base
- E-Z access ergonomic base
- Base enclosed by stainless steel shroud

Imaging Surface

- 550 lb patient capacity (4 to 1 safety factor)
- Attenuation .57 mm Al. equivalent
- 82" of total imaging area
- 40" of edge to edge imaging area
- Cervical access shaped top
- Beveled edge
- 2" low attenuation mattress pad
- Low attenuation carbon fiber top

Options

- Carbon fiber articulating arm boards and pads
- Extended stainless steel accessory rails

Warranty

- One year warranty - Electrical, Mechanical, Carbon Fiber & Vinyl Fabric

Specifications

LENGTH	94"
WIDTH	22" at imaging area, 27" total
WEIGHT	950 lbs.
LOAD CAP.	550 lbs. distributed load
MATTRESS	Attenuation equivalent to .13mm Al
ELECTRICAL	120 VAC, 3.2 amps max, 50/60 Hz, UL 601, CSA 222.2 No. 601.1, IEC 60601-1

MEDICAL POSITIONING

FDA Registered Establishment



FDA Listed

U.S. Patents: 6,353,949 B1; 5,919,131; 347,691; ,184,363; 5,461,739; 6,367,104 B1; 5,250,262; 5,367,104 B1; 6,832,399 B2; 6,557,196 B2; 7,082,268; **International Patents:** 195 81 706; 2,304,568; Additional Patents Pending

MPISS605